

91117-3 ✓ ACTIVE

AMP

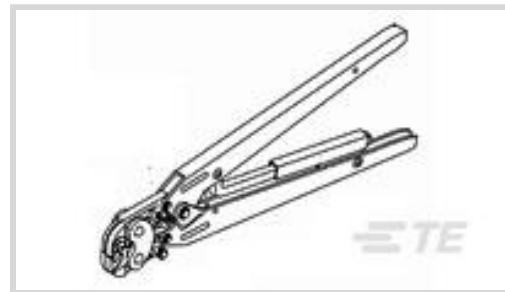
TE Internal #: 91117-3

Hand Crimping Tools, Commercial Crimp Tooling, Not Releasable, Not Adjustable, Fixed In Tool, TE Product Specification (108-), Manual

[View on TE.com >](#)



Application Tooling > Hand Crimping Tools



Tool Grade: **Commercial Crimp Tooling**

Ratchet Configuration: **Not Releasable, Not Adjustable**

Die Sets Type: **Fixed In Tool**

Specification Type: **TE Product Specification (108-)**

TE Certification: **Cannot be Certified**

Features

Other

Tool Grade	Commercial Crimp Tooling
Ratchet Configuration	Not Releasable, Not Adjustable
Die Sets Type	Fixed In Tool
Specification Type	TE Product Specification (108-)
TE Certification	Cannot be Certified
Power Technology Type	Manual
Tooling Type	Double Action Hand Tool

Product Compliance

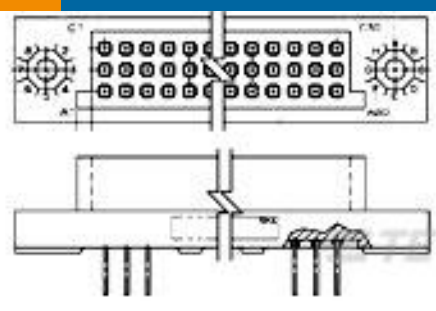
[For compliance documentation, visit the product page on TE.com>](#)

EU RoHS Directive 2011/65/EU	Out of Scope
EU ELV Directive 2000/53/EC	Out of Scope
China RoHS 2 Directive MIIT Order No 32, 2016	Not reviewed for China RoHS compliance
EU REACH Regulation (EC) No. 1907/2006	Current ECHA Candidate List: JUNE 2022 (224) Candidate List Declared Against: JUL 2021 (219) Does not contain REACH SVHC
Halogen Content	Not Yet Reviewed for halogen content
Solder Process Capability	Not applicable for solder process capability

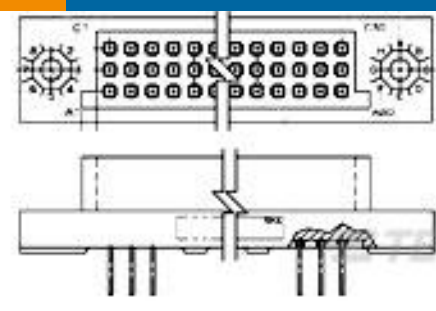
Product Compliance Disclaimer

This information is provided based on reasonable inquiry of our suppliers and represents our current actual knowledge based on the information they provided. This information is subject to change. The part numbers that TE has identified as EU RoHS compliant have a maximum concentration of 0.1% by weight in homogenous materials for lead, hexavalent chromium, mercury, PBB, PBDE, DBP, BBP, DEHP, DIBP, and 0.01% for cadmium, or qualify for an exemption to these limits as defined in the Annexes of Directive 2011/65/EU (RoHS2). Finished electrical and electronic equipment products will be CE marked as required by Directive 2011/65/EU. Components may not be CE marked. Additionally, the part numbers that TE has identified as EU ELV compliant have a maximum concentration of 0.1% by weight in homogenous materials for lead, hexavalent chromium, and mercury, and 0.01% for cadmium, or qualify for an exemption to these limits as defined in the Annexes of Directive 2000/53/EC (ELV). Regarding the REACH Regulation, the information TE provides on SVHC in articles for this part number is based on the latest European Chemicals Agency (ECHA) 'Guidance on requirements for substances in articles' posted at this URL: <https://echa.europa.eu/guidance-documents/guidance-on-reach>

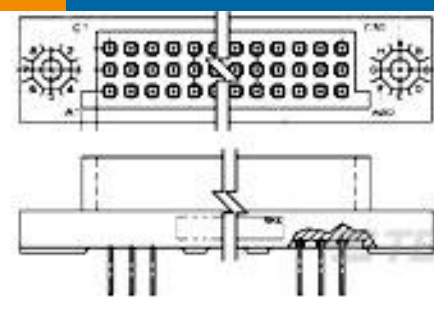
Compatible Parts



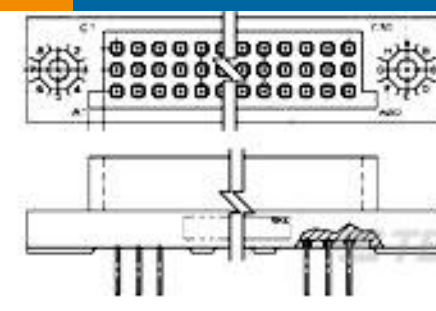
TE Part # 446853-1
3 ROW BOX REC 90P 100CL SEALED



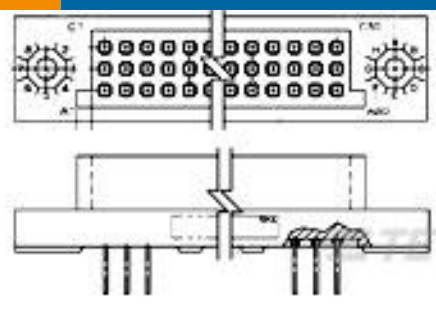
TE Part # 446853-4
3ROW BOX REC 150P 100CL SEALED



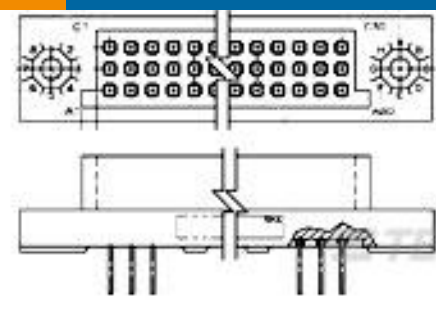
TE Part # 446853-5
3ROW BOX REC 165P 100CLSEALED



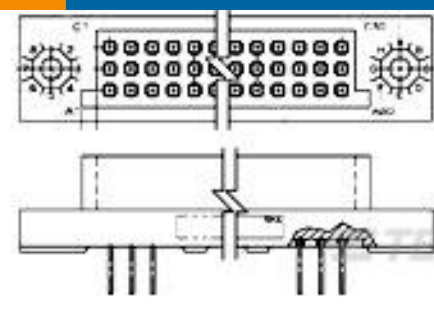
TE Part # 447192-4
3 ROW BOX RECP 150 POS 100 C/L



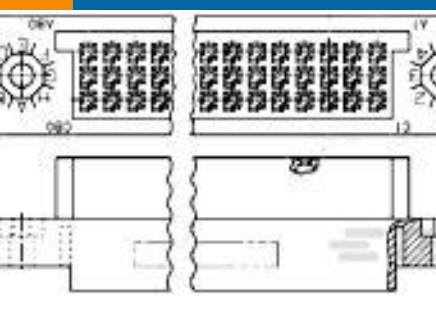
TE Part # 531134-1
3ROW BOX REC 90P 100CL UNSEAL



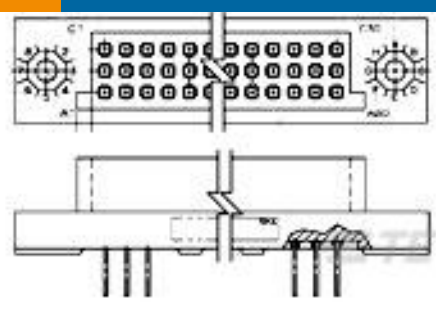
TE Part # 531134-7
3ROW BOX REC 210P 100CL UNSEAL



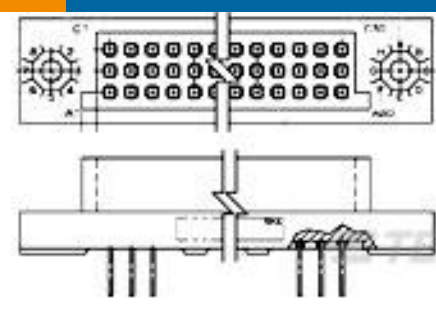
TE Part # 1-531134-2
3ROW BOX REC 135P 100CL UNSEAL



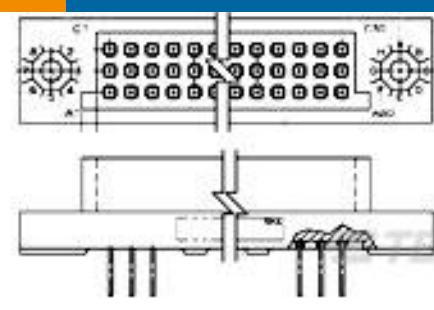
TE Part # 1-531984-3
BX RCPT HSG 150 POS 100CL



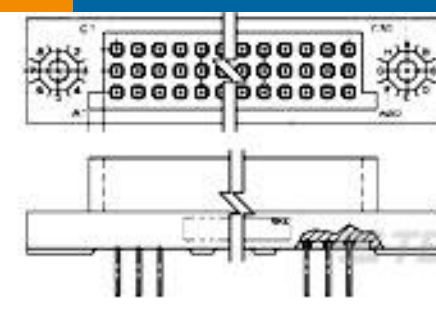
TE Part # 446853-2
3ROW BOX REC 105P 100CL SEALED



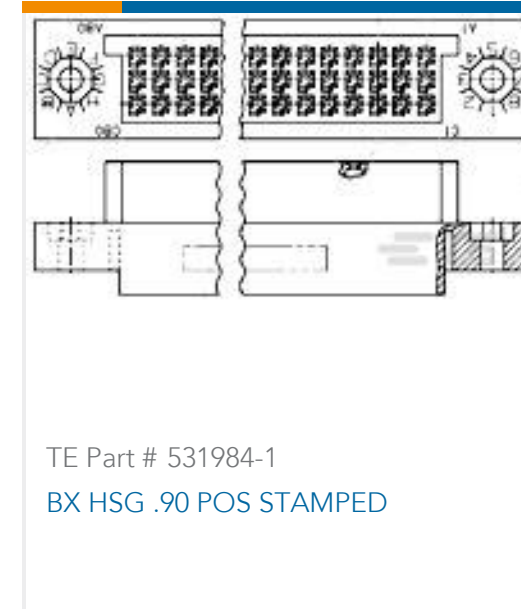
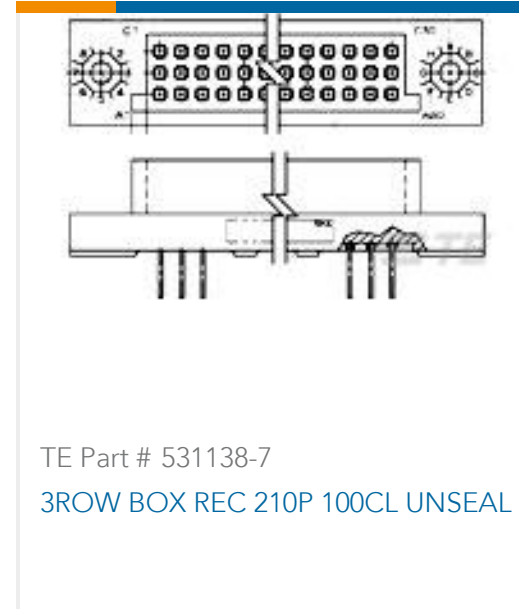
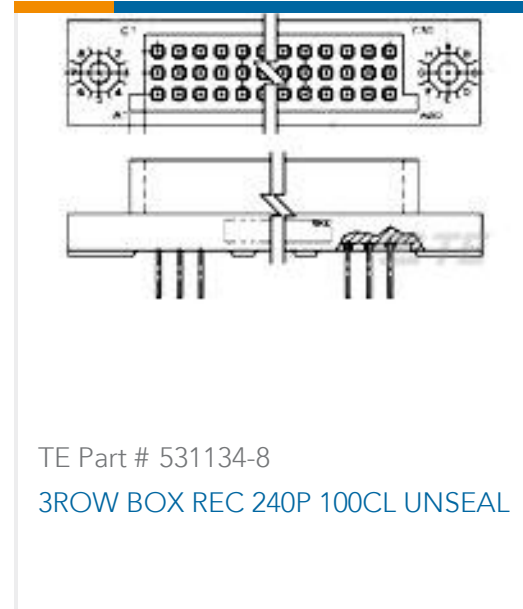
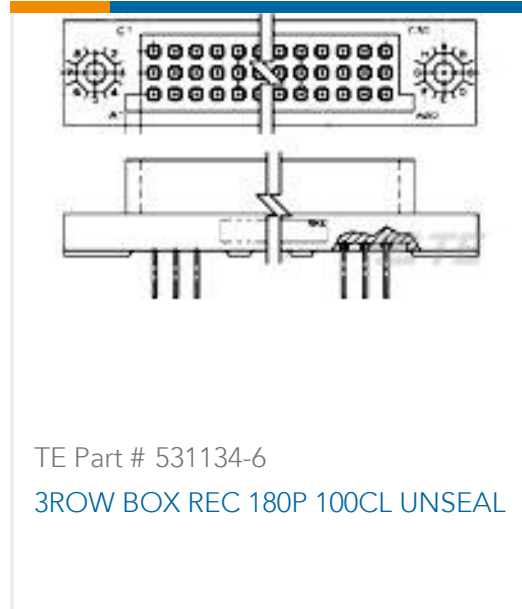
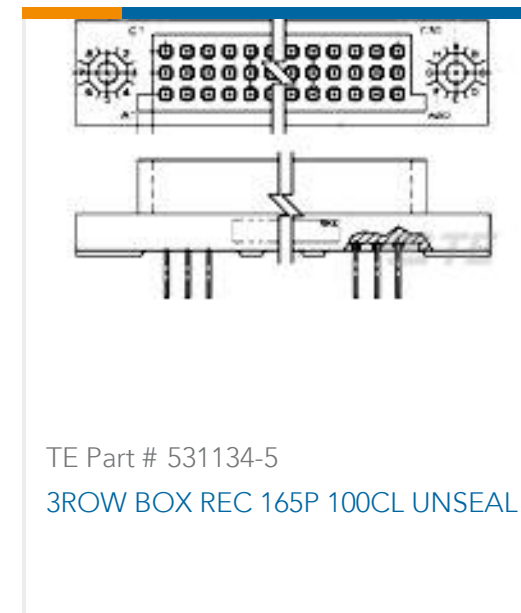
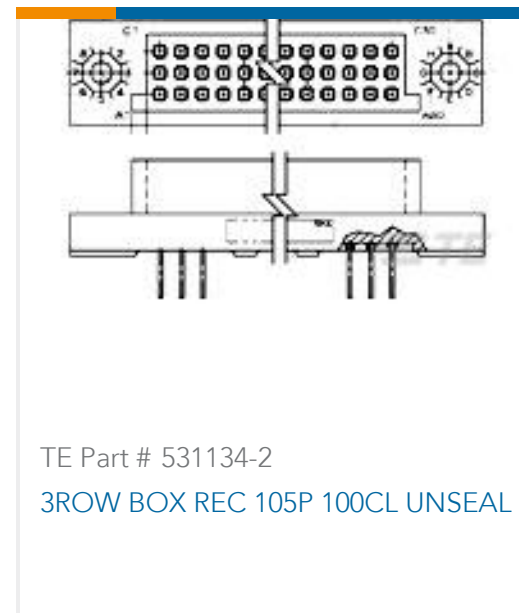
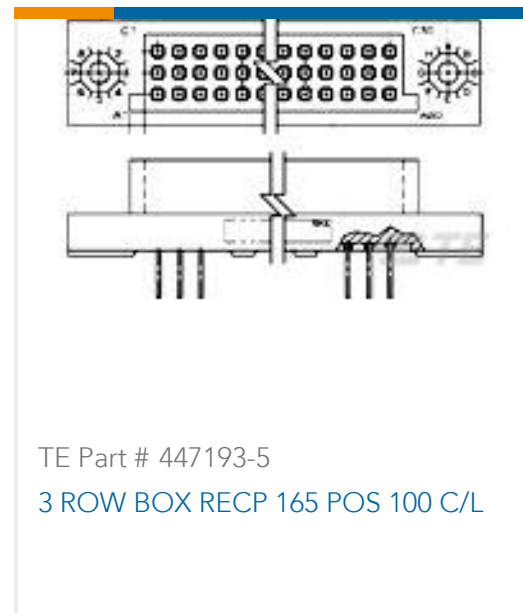
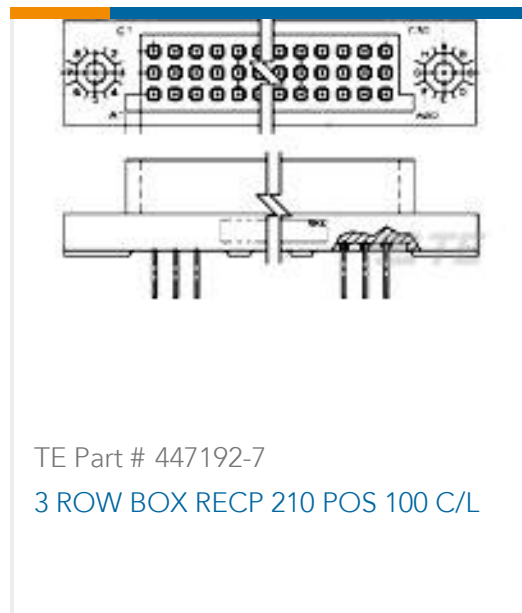
TE Part # 446853-3
3ROW BOX REC 120P 100CL SEALED



TE Part # 446853-6
3ROW BOX REC 180P 100CL SEALED



TE Part # 447192-5
3 ROW BOX RECP 165 POS 100 C/L



Documents

Datasheets & Catalog Pages

Bottoming Dies

English

Instruction Sheets

Instruction Sheet (U.S.)

English